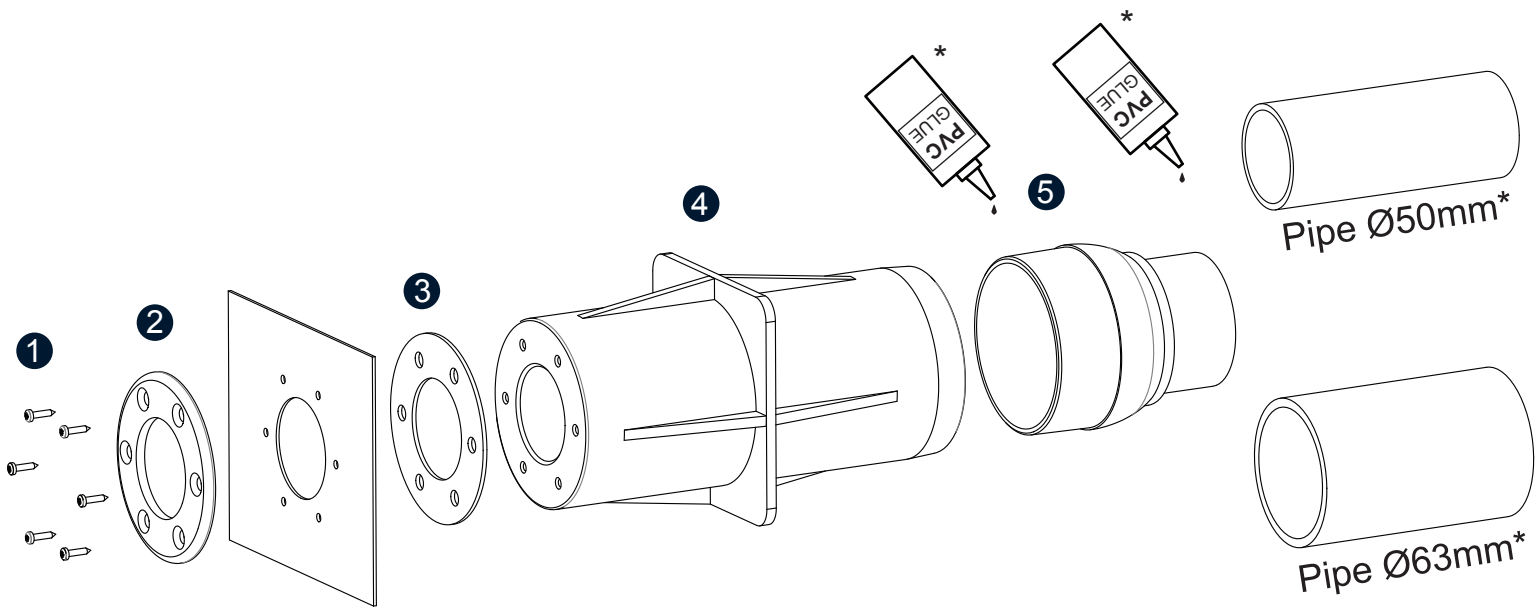


# PZA-WC-G

1. Screws (6)
2. Liner ring
3. Silicone gasket liner
4. Concrete wall conduit
5. Tail piece



(\*) Pipes and glue not included

**DURAVISION**