

# Residential Jet Cleaners



**Operating Instructions**

**Mode d'emploi**

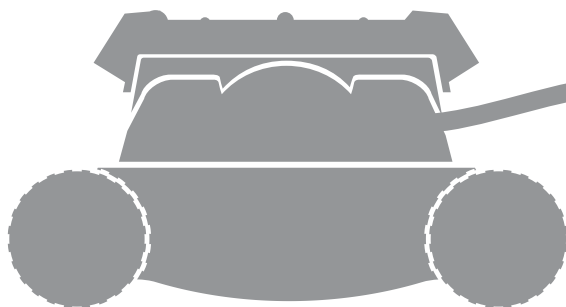
**Betriebsanleitung**

**Istruzioni di funzionamento**

**Instrucciones de uso**

**Instruções de Manipulação**

**Bedieningsinstructies**



**EN** This appliance can be used by children aged from 8 years and above and persons with reduced physical, sensory or mental capabilities or lack of experience and knowledge if they have been given supervision or instruction concerning use of the appliance in a safe way and understand the hazards involved. Children shall not play with the appliance. Cleaning and user maintenance shall not be made by children without supervision. To avoid possible electric shock, do not use this product if the floating cable appears to be damaged.

### IMPORTANT SAFETY INSTRUCTIONS READ AND FOLLOW ALL THE INSTRUCTIONS

**CAUTION:** Do not plug the power supply into a grounded outlet or do not switch the pool cleaner "ON" if it is not fully immersed in water. Operating the cleaner out of water will cause severe damage immediately and will result in loss of warranty.

Allow the cleaner to remain in the pool for 15 to 20 minutes following the end of its cleaning cycle. This will allow the motors to cool adequately. Do not leave the cleaner in the pool all the time. Always remember to turn the power supply "OFF" and unplug it from the power outlet before removing the cleaner from the pool.

**WARNING:** The cleaner must not be used when people are in the water. For use with swimming pool only

#### Safety Note

- The unit must be supplied through a residual current device (RCD) having a rated residual operating current not exceeding 30 mA
- The connection to the branch circuit should be consistent with the local and national wiring rules (electrical code).
- If the supply cord is damaged, it must be replaced by the manufacturer's service agent or a qualified and trained person in order to avoid hazards.
- The cleaner assembly has to be used only with the power supply unit provided



This appliance is not intended for use by persons (including children) with reduced physical, sensory or mental capabilities, or lack of experience and knowledge, unless they have been given supervision or instruction concerning use of the appliance by a person responsible for their safety. Children should be supervised to ensure that they do not play with the appliance.



**WARNING:** A Ground Fault Current Interrupter (GFCI-USA) or a Residual Current Device (RCD-EUROPE) must be installed to protect your electric outlet and prevent any possible electric shock.

#### IMPORTANT:

Please be sure to always keep your pool cleaner properly stored anywhere between 10 to 40 degrees Celsius (50 to 104 degrees Fahrenheit). This will keep the motors, plastics and seals protected. Failure to comply will result in loss of warranty. Robot can be used in water with temperatures ranging from 13°C to 35°C (55°F to 95°F). However, the recommended optimal temperature is between 22°C and 32°C (72°F and 90°F)

#### USE OF THE CLEANER IN A VINYL LINER POOL

**WARNING:** Some vinyl liner patterns are specifically susceptible to rapid surface wear and pattern removal caused by objects coming into direct contact with the vinyl surface, including pool brushes, pool toys, floats, fountains, chlorine dispensers, and automatic pool cleaners. Vinyl liner patterns can be seriously scratched or abraded simply by rubbing the surface with a pool brush. Additionally, ink from the pattern can also rub off during the installation process or when it comes into contact with objects in the pool.

The manufacturer is not responsible for, and the Limited Warranty does not cover, pattern removal, abrasion or markings on vinyl liners.

**SAVE THESE INSTRUCTIONS**

**FR** Ce dispositif peut être utilisé par les enfants de huit ans et plus et les gens avec des capacités physiques, sensorielles ou mentales réduites, ou un manque d'expérience et de connaissances, s'ils sont sous supervision ou s'ils ont reçu des instructions concernant l'utilisation de ce dispositif en toute sécurité et s'ils comprennent les dangers possibles. Les enfants ne doivent pas jouer avec ce dispositif. Son nettoyage et son entretien ne doit pas être effectué par des enfants sans supervision. Pour éviter tout choc électrique possible, ne pas utiliser ce produit si le câble flottant est endommagé.

**ES** Este electrodoméstico puede ser utilizado por niños de 8 años de edad y mayores y personas con capacidades físicas, sensoriales o mentales reducidas, o personas sin experiencia y conocimiento, si operan el electrodoméstico bajo supervisión o han sido instruidos con respecto al uso seguro del aparato y comprendan los peligros involucrados. Los niños no deben jugar con el electrodoméstico. Los niños no deben realizar tareas de limpieza y mantenimiento sin supervisión. Para evitar una descarga eléctrica, no use este producto si el cable flotante parece estar dañado.

**IT** Questo dispositivo può essere utilizzato da bambini di età superiore agli 8 anni e per persona con capacità fisiche, sensoriali o mentali ridotte, o persona senza esperienza e conoscenza, se hanno ricevuto una supervisione o istruzioni sull'uso del dispositivo in modo sicuro e sono in grado di capire i rischi coinvolti. I bambini non devono giocare con il dispositivo. La pulizia e manutenzione utente non deve essere effettuata dai bambini senza sorveglianza. Per evitare il rischio di scosse elettriche non utilizzare questo prodotto se il cavo galleggiante appare danneggiato.

**PT** Este utensílio pode ser usado por crianças de 8 anos ou mais e por pessoas com capacidade física, sensorial ou mental reduzida, ou até por pessoas com pouca experiência e conhecimento caso lhes seja dada a devida supervisão ou instrução no que diz respeito ao uso do utensílio, de uma forma segura, e que perceba os perigos envolvidos. Crianças não devem brincar com o utensílio. Limpeza e manutenção não devem ser feitas por crianças sem supervisão. Para evitar um possível choque elétrico, não utilize este produto caso o cabo flutuante aparente estar danificado.

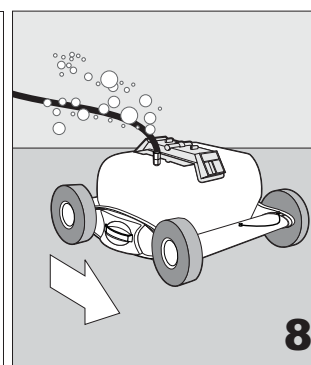
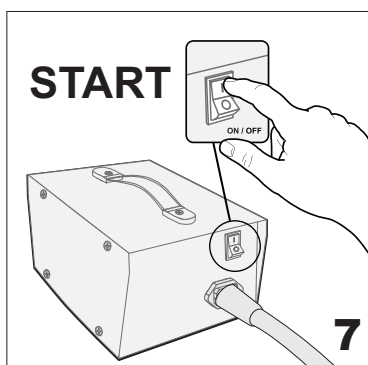
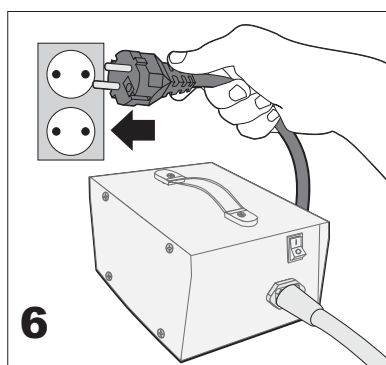
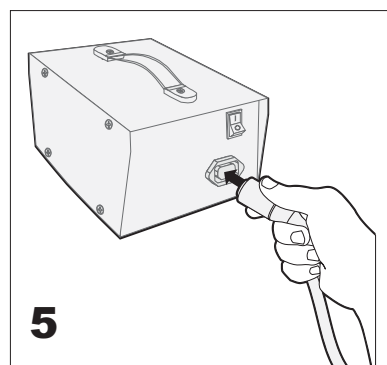
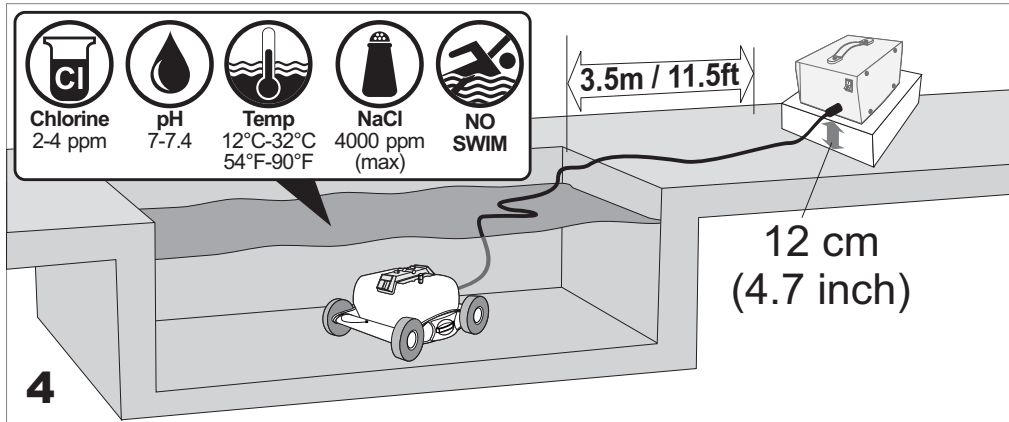
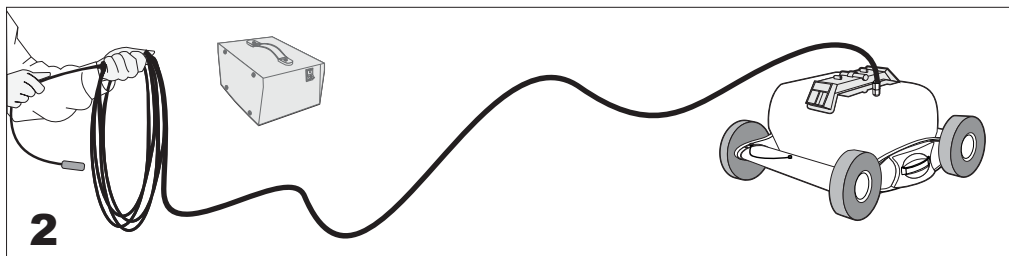
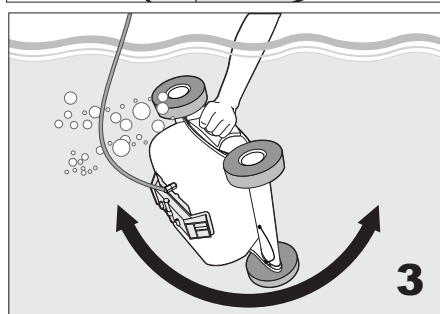
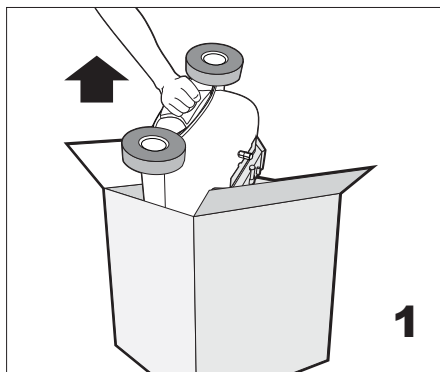
**ND** Dit apparaat kan worden gebruikt door kinderen vanaf 8 jaar en personen met verminderde fysieke, zintuiglijke of mentale vermogens of gebrek aan ervaring en kennis als ze toezicht of instructies over het veilige gebruik van het apparaat en de mogelijke gevaren begrijpen. Kinderen zullen niet met het apparaat spelen. Reinigings- en gebruikersonderhoud zal niet worden gedaan door kinderen zonder toezicht. Om elektrische schok te voorkomen, gebruik dit product niet als de losse kabel beschadigd lijkt te zijn.

**DE** Dieses Mittel können Kinder im Alter ab 8 Jahren und Personen mit eingeschränkten physischen, sensorischen oder geistigen Fähigkeiten oder Mangel an Erfahrung und Wissen verwenden, wenn sie beaufsichtigt sind oder ihnen Anweisungen gegeben werden. Ober die Verwendung des Mittels in einer sicheren Art und Weise, die damit verbundenen Gefahren zu verstehen. Kinder dürfen nicht mit dem Mittel spielen. Reinigung und Benutzerpflege sollten nicht von Kindern ohne Aufsicht durchgeführt werden. Um einen möglichen Stromschlag zu vermeiden, verwenden Sie dieses Produkt nicht, wenn das Schwimmkabel beschädigt zu sein scheint.

# Quick start guide

Guide de démarrage rapide  
Kurzanleitung  
Manuale di avvio rapido

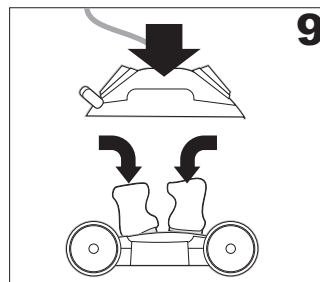
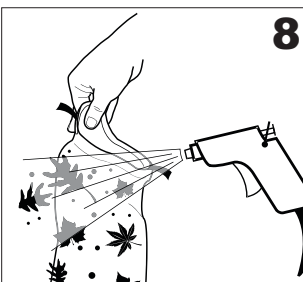
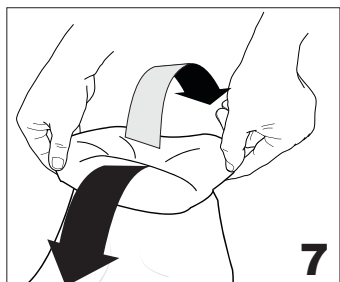
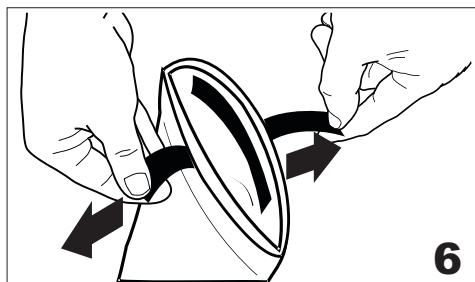
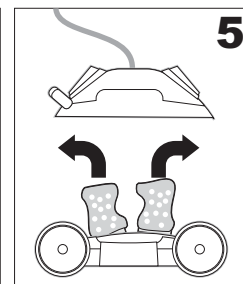
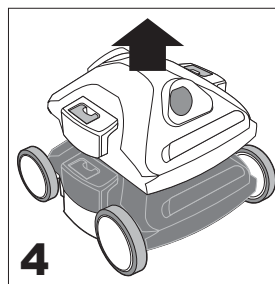
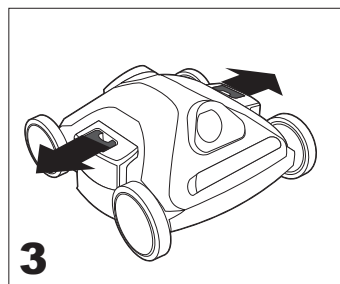
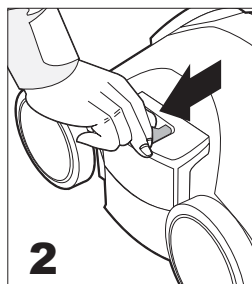
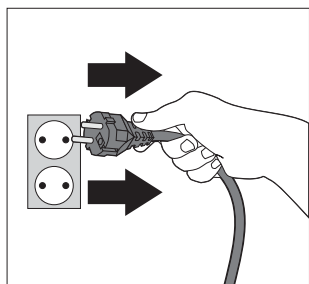
Guía de inicio rápido  
Guía de inicio rápido  
Snelstart handleiding



# Cleaning the filter

Nettoyage du filtre  
Reinigung des Filters  
Pulizia del filtro

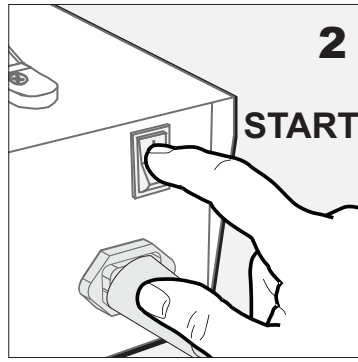
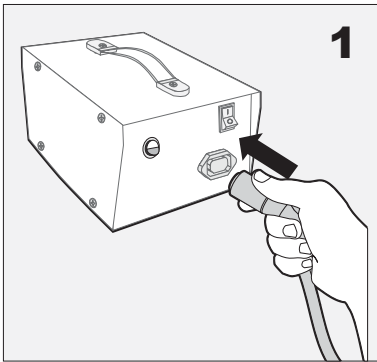
Limpeza do filtro  
Limpeza do filtro  
De filter reinigen



# Internal timer (certain models)

Minuteur Interne (certains modèles)  
Internen Timer (bestimmte Modelle)  
Temporizzatore Interno (alcuni modelli)

Temporizador Interno (ciertos modelos)  
Temporizador Interno (certos modelos)  
Interne Timer (sommige modellen)



**EN**

The Power-Control shuts OFF automatically when the cleaning cycle is completed.  
To restart the unit press OFF. Wait 30 seconds. Press ON again.

**FR**

Le Dispositif de commande s'éteint automatiquement (OFF) quand le cycle de nettoyage est achevé.  
Pour redémarrer l'unité, appuyer sur OFF. Attendre 30 secondes. Puis appuyer de nouveau sur ON.

**IT**

Il controllo dell'alimentazione si spegne automaticamente quando il ciclo di pulizia è terminato.  
Per riavviare l'unità premere OFF. Aspettare 30 secondi. Premere ON di nuovo.

**PT**

O controle de energia se desligará automaticamente (posição "OFF") quando o ciclo de limpeza estiver concluído.  
Para reiniciar a unidade, pressione OFF. Aguarde 30 segundos. Pressione ON novamente.

**DE**

Der Energieregler schaltet automatisch AUS, wenn der Reinigungszyklus abgeschlossen ist.  
Um die Einheit erneut zu starten, drücken Sie OFF. Warten Sie 30 Sekunden. Drücken Sie erneut ON.

**ES**

Cuando el ciclo de limpieza se complete, el Controlador de energía se apagará (OFF) automáticamente.  
Para reiniciar la unidad oprima OFF. Espere 30 segundos. Vuelva a presionar ON.

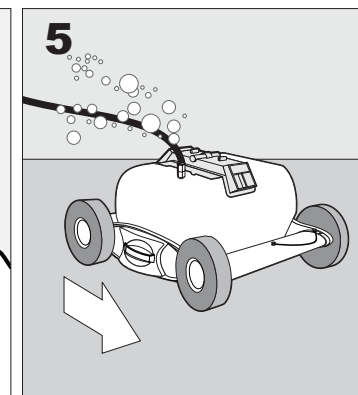
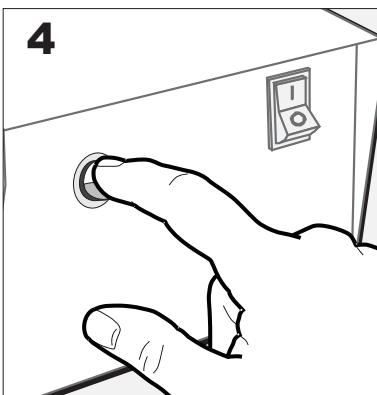
**ND**

De transformator wordt automatisch uitgeschakeld wanneer de reinigingscyclus is voltooid.  
Om herstart de unit druk op OFF. Wacht 30 seconden. Druk nogmaals op ON.

**3**

Large Pool  
Grande Piscine  
Großen Pool  
Grande Piscina  
Gran Piscina  
Grande Piscina  
Groot Zwembad

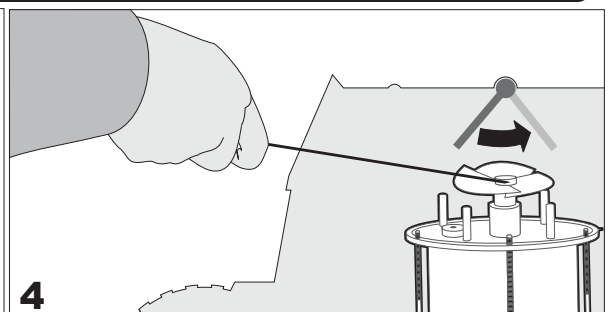
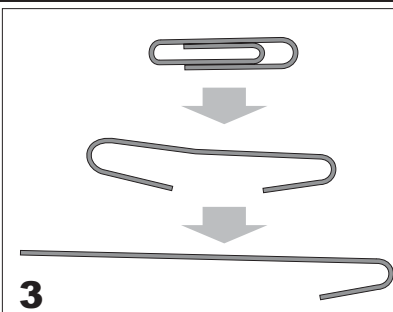
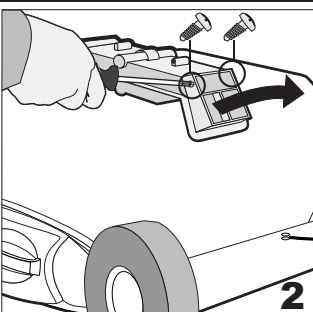
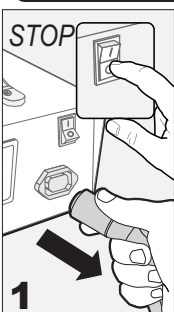
Small Pool  
Petite Piscine  
Kleinen Pool  
Piccola Piscina  
Pequeña Piscina  
Pequena Piscina  
Klein Zwembad



# Cleaning the propeller

Nettoyage du hélice  
Reinigung des Propeller  
Pulizia del elica

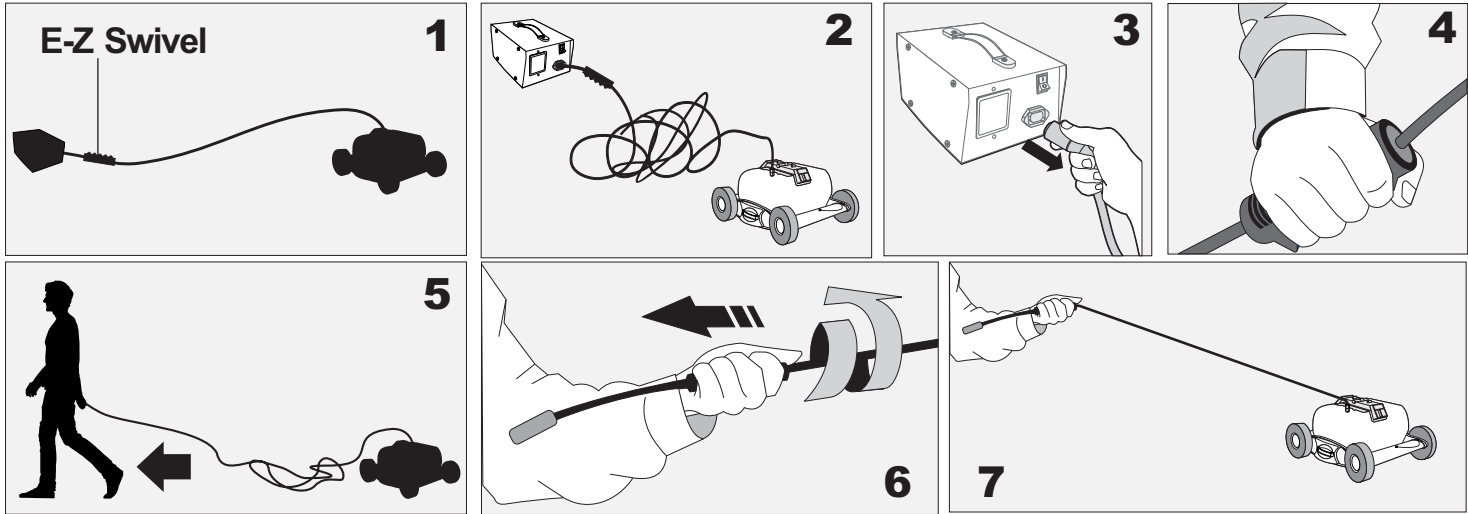
Limpieza de la hélice  
Limpeza do hélice  
De Propeller reinigen



# Cable care (certain models)

Entretien du câble (certains modèles)  
 Pflege des schwimmkabels (bestimmte Modelle)  
 Cura del cavo (alcuni modelli)

Cuidado del cable electrico (ciertos modelos)  
 Cuidados com o cabo eléctrico (certos modelos)  
 Kabel Zorg (sommige modellen)



# Detangling the cable

Démêler le câble  
 Entwirren des Kabels  
 Disattorcigliare il cavo

Cómo desenrollar el cable  
 Desembaraçar o cabo  
 Ontwarren van het snoer

**EN** To help prevent cable tangling, it is recommended to periodically change the pin position to drive the cleaner in the opposite direction.

**FR** Pour éviter que le câble ne s'emmêle, il est recommandé de modifier périodiquement la position de l'essieu, afin de diriger le nettoyeur dans la direction opposée.

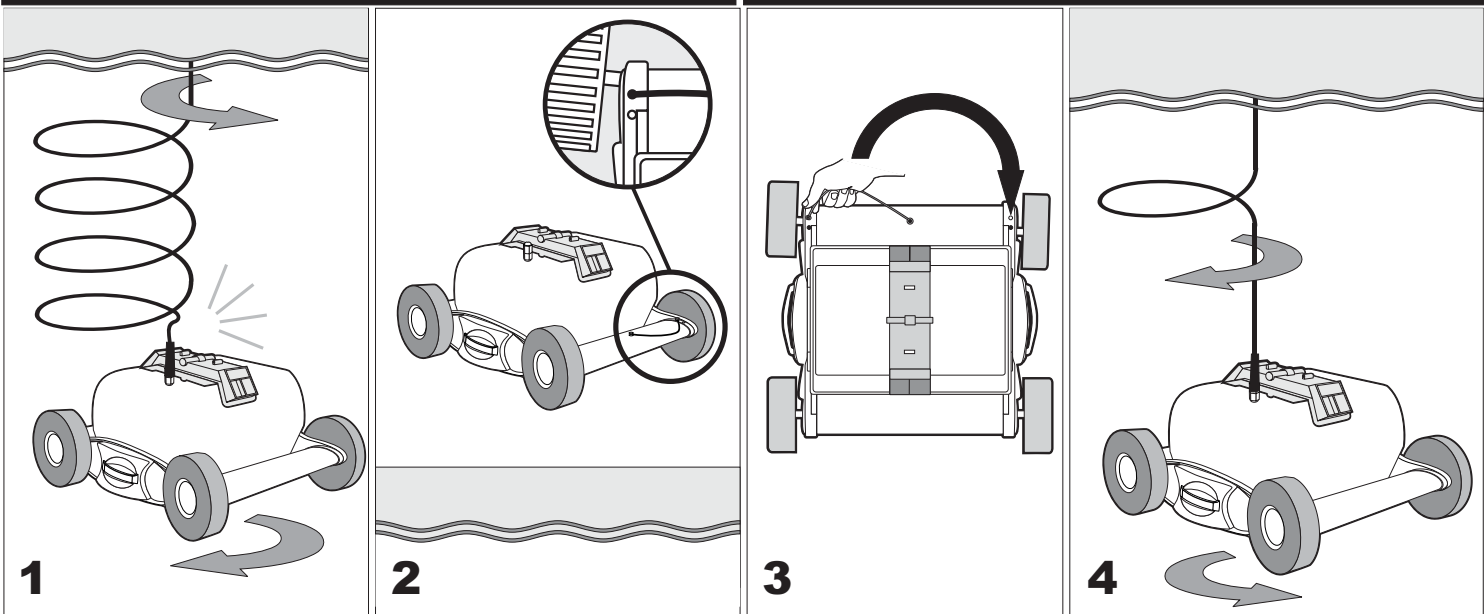
**DE** Um die Kabelverwirrung zu verhindern, wird empfohlen, die Achsenposition regelmäßig zu ändern, damit sich das Reinigungsgerät in die entgegengesetzte Richtung bewegt.

**IT** Per impedire che il cavo si attorcigli, è consigliabile cambiare periodicamente la posizione dell'asse per indirizzare il robot pulitore nella direzione opposta.

**ES** Para evitar que el cable se enrolle se recomienda que cambie con regularidad la posición del eje para impulsar al limpiador hacia la dirección opuesta.

**PT** Para evitar que o cabo fique embaraçado, é recomendável mudar regularmente a posição do eixo para conduzir o aspirador para a direcção oposta.

**ND** Om snoerverwarring te vermijden, adviseren wij u om de positie van de as regelmatig te wijzigen, zodat het reinigungsapparaat in de tegenovergestelde richting kan bewegen.



# Cleaning adjustment

Comment ajuster le nettoyage  
Reinigungsanpassung  
Regolazione delle operazioni di pulizia

Ajuste de limpeza  
Ajustamento da limpeza  
Aanpassen van het reinigen

**EN** If the unit looks like it is moving in the same area of the pool and does not clean other areas, change the axle set up by adjusting the axle lock configuration. This will help move the cleaner in a different pattern.

**FR** Si l'unité semble se déplacer dans la même zone de la piscine sans nettoyer les autres zones, modifiez le montage de l'essieu en ajustant la configuration de verrouillage de celui-ci. Cela permettra au nettoyeur d'adopter de nouveaux schémas de déplacement.

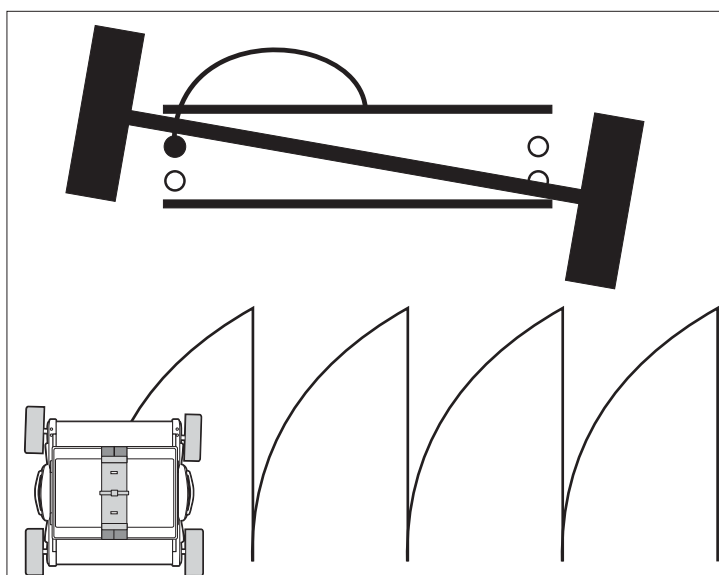
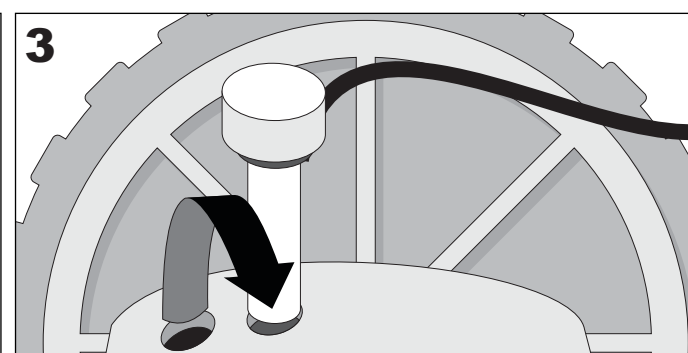
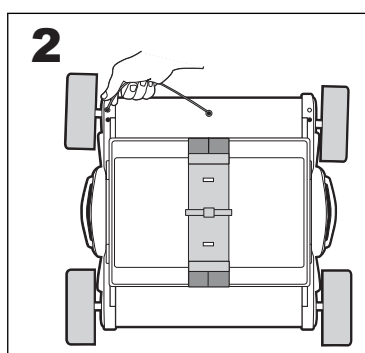
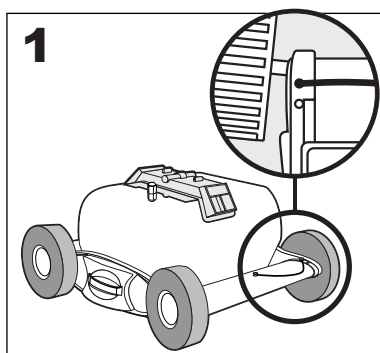
**DE** Wenn sich die Einheit nur in einem Bereich des Pools bewegt und die anderen Bereiche nicht reinigt, ändern Sie die Achseneinstellung, indem Sie die Achsenperre anpassen, damit sich das Reinigungsgerät in eine andere Richtung bewegen kann.

**IT** Se l'unità appare muoversi sempre nella stessa area della piscina senza pulire altre aree, cambiare le impostazioni dell'asse regolandone la configurazione del blocco. Questo consentirà al robot pulitore di spostarsi in una direzione diversa.

**ES** Si se ve como si la unidad se está moviendo en la misma área de la piscina y no limpia las otras áreas, cambie la configuración del eje al ajustar la configuración del candado del eje. Esto ayudará a que el limpiador se desplace en un patrón diferente.

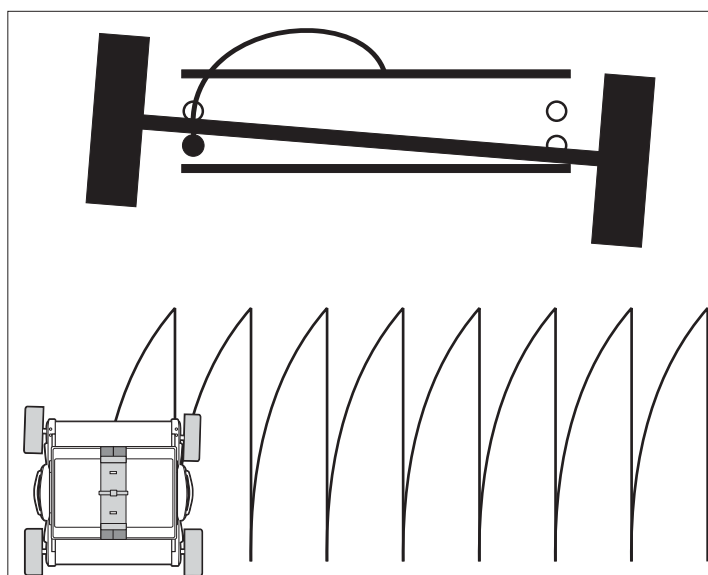
**PT** Se a unidade parecer que está a movimentar-se na mesma área da piscina e que não limpa outras áreas, altere a configuração do eixo ajustando a configuração do bloqueio do eixo. Desta forma o aspirador conseguirá movimentar-se noutra sentido.

**ND** Als het erop lijkt dat het apparaat steeds in hetzelfde gedeelte van het zwembad blijft en geen andere gedeeltes schoonmaakt, dan wijzigt u de instelling van de as door de configuratie van de asvergrendeling aan te passen. Hierdoor kan het reinigingsapparaat in een ander patroon bewegen.



## Standard turning angle

Angle de rotation standard    Ángulo de giro estándar  
Standard Drehwinkel        Ângulo de viragem padrão  
Angolo de girare standard    Standaard draaihoek



## Small turning angle

Angle de rotation petit        Ángulo de giro pequeño  
Kleinen Drehwinkel        Ângulo de viragem pequeno  
Angolo de girare piccolo    Kleine draaihoek

# ENGLISH

Dear Customer,

Thank you for choosing our product to clean your pool. We hope that you will enjoy using your new robot to maintain your swimming pool for years to come. Before you begin to use your robot, please take a few minutes to carefully read these operating instructions. Again, thank you for choosing our product.

## IMPORTANT SAFETY INSTRUCTIONS READ AND FOLLOW ALL THE INSTRUCTIONS

**CAUTION:** Do not plug the power supply into a grounded outlet or do not switch the pool cleaner "ON" if it is not fully immersed in water. Operating the cleaner out of water will cause severe damage immediately and will result in loss of warranty.

Allow the cleaner to remain in the pool for 15 to 20 minutes following the end of its cleaning cycle. This will allow the motors to cool adequately. Do not leave the cleaner in the pool all the time. Always remember to turn the power supply "OFF" and unplug it from the power outlet before removing the cleaner from the pool.

**WARNING:** The cleaner must not be used when people are in the water. For use with swimming pool only

### Safety Note

- The unit must be supplied through a residual current device (RCD) having a rated residual operating current not exceeding 30 mA
- The connection to the branch circuit should be consistent with the local and national wiring rules (electrical code).
- If the supply cord is damaged, it must be replaced by the manufacturer's service agent or a qualified and trained person in order to avoid hazards.



This appliance is not intended for use by persons (including children) with reduced physical, sensory or mental capabilities, or lack of experience and knowledge, unless they have been given supervision or instruction concerning use of the appliance by a person responsible for their safety. Children should be supervised to ensure that they do not play with the appliance.



**WARNING:** A Ground Fault Current Interrupter (GFCI-USA) or a Residual Current Device (RCD-EUROPE) must be installed to protect your electric outlet and prevent any possible electric shock.

### IMPORTANT:

Please be sure to always keep your pool cleaner properly stored anywhere between 10 to 40 degrees Celsius (50 to 104 degrees Fahrenheit). This will keep the motors, plastics and seals protected. Failure to comply will result in loss of warranty.

Robot can be used in water with temperatures ranging from 13°C to 35°C (55°F to 95°F). However, the recommended optimal temperature is between 22°C and 32°C (72°F and 90°F)

### USE OF THE CLEANER IN A VINYL LINER POOL

**WARNING:** Some vinyl liner patterns are specifically susceptible to rapid surface wear and pattern removal caused by objects coming into direct contact with the vinyl surface, including pool brushes, pool toys, floats, fountains, chlorine dispensers, and automatic pool cleaners. Vinyl liner patterns can be seriously scratched or abraded simply by rubbing the surface with a pool brush. Additionally, ink from the pattern can also rub off during the installation process or when it comes into contact with objects in the pool.

The manufacturer is not responsible for, and the Limited Warranty does not cover, pattern removal, abrasion or markings on vinyl liners.



## TROUBLESHOOTING

**Moves slowly or doesn't seem to be vacuuming**  
The solution is to make sure that the filter bag is clean.  
Check to see that the suction ports are not clogged or blocked.

**Does not pump water:**  
Check to see if the electric outlet has power.  
Check to see if the cable is plugged into the power supply.  
Check the fuse in the Power Supply - if necessary replace it.  
Check the cable for possible cuts or damage.

**The Floating Cable is coiled up**  
Change the axle set-up. Unit is most likely turning too sharply.  
Use the E-Z Swivel to straighten out the cable (certain models).

**Unit is not sucking up debris**  
Check to see that you've properly set-up the unit and the power supply is ON.  
Check to see if the propeller is stuck.  
Make sure the filter bag is clean.

**Unit is stuck in the middle of the pool but the unit still pumps out water**  
Check to see that there is nothing obstructing the cleaner or that the cleaner is not stuck on any loose objects in the pool.

**Unit looks like it is moving in the same area of the pool and does not clean other areas**  
Change the axle set up by adjusting the pin configuration. This will help move the cleaner in a different direction to clean.

**Unit does not cover the entire pool**  
Check to see that the filter bag is thoroughly clean.  
Adjust the timing cycle on the power supply (certain models).  
Check to see that the axle area is not clogged.  
Check your pin configuration.

\*To avoid a possible electrical shock, do not use this product if the floating cable appears to be damaged.

**SAVE THESE INSTRUCTIONS**

# FRANÇAIS

Chers clients,

Nous vous remercions d'avoir choisi notre produit pour nettoyer votre piscine. Nous espérons que vous utiliserez votre nouveau nettoyeur pour maintenir votre piscine durant plusieurs années.

Avant de commencer à utiliser votre nettoyeur, veuillez prendre quelques minutes afin de lire soigneusement les instructions de fonctionnement. De nouveau, merci d'avoir choisi notre produit.

## CONSIGNES DE SÉCURITÉ IMPORTANTES LIRE ET SUIVRE TOUTES LES INSTRUCTIONS

**ATTENTION :** Ne pas brancher le bloc d'alimentation à une prise de terre ou ne pas mettre le nettoyeur de piscine sur « MARCHE » s'il n'est pas totalement immergé dans l'eau. L'utilisation du nettoyeur hors de l'eau cause immédiatement de sérieux dégâts et se traduit par une perte de garantie.

Laisser le nettoyeur dans la piscine pendant 15 à 20 minutes à la fin de son cycle de nettoyage. Cela permettra aux moteurs de refroidir convenablement. Ne pas laisser le nettoyeur dans la piscine tout le temps. Rappelez-vous toujours de mettre l'alimentation sur « ARRÊT » et de débrancher la prise de courant avant de retirer le nettoyeur de la piscine.

**AVERTISSEMENT :** Le nettoyeur ne doit pas être utilisé lorsqu'il y a des gens dans l'eau. À utiliser dans une piscine uniquement

Note de sécurité

- L'appareil doit être alimenté par un dispositif différentiel à courant résiduel (DDR) ayant un fonctionnement nominal de courant résiduel ne dépassant pas 30 mA.

- Le raccordement au circuit de dérivation doit être compatible avec les règles de câblage locales et nationales (code de l'électricité).

- Si le cordon d'alimentation est endommagé, il doit être remplacé par un agent de maintenance du fabricant ou une personne qualifiée et formée afin d'éviter les dangers.



Cet appareil n'est pas destiné à être utilisé par des personnes (y compris les enfants) dont les capacités physiques, sensorielles ou mentales sont réduites, ou qui manquent d'expérience et de connaissances, à moins qu'elles n'aient bénéficié de surveillance ou d'instructions concernant l'utilisation de l'appareil de la part d'une personne responsable de leur sécurité. Les enfants doivent être surveillés pour s'assurer qu'ils ne jouent pas avec l'appareil.



**AVERTISSEMENT :** un interrupteur de défaut à la terre (GFCI-USA) ou un dispositif différentiel à courant résiduel (DDR-Europe) doit être installé pour protéger votre prise électrique et éviter tout risque d'électrocution.

**IMPORTANT:**

Veuillez vous assurer que la température de stockage de votre appareil soit entre 10 et 40 degrés Celsius (50 et 104 degrés Fahrenheit). C'est seulement ainsi que les moteurs, les pièces en plastique et les joints d'étanchéité seront dûment protégés. En cas d'omission du stockage à la température recommandée, la garantie sera annulée.

Le robot peut être utilisé dans de l'eau dont la température est comprise entre 13°C et 35°C (55°F - 95°F).

Cependant, la température optimale recommandée s'établit entre 22°C et 32°C (72°F - 90°F).

**UTILISATION DU NETTOYEUR DANS UNE PISCINE A REVÊTEMENT EN VINYLE**

Certains motifs de revêtement en vinyle sont particulièrement susceptibles à une usure rapide de surface, causée par les objets qui entrent en contact avec la surface en vinyle, tels que les brosses, jouets et objets flottants utilisés dans les piscines, de même que les fontaines, les distributeurs de chlore et les nettoyeurs automatiques de piscine.

Certains motifs de revêtements en vinyle peuvent faire l'objet de rayures ou d'abrasions sérieuses, simplement car la surface a été frottée avec une brosse de piscine. L'encre des motifs peut également partir durant le processus d'installation, où quand la surface entre en contact avec les objets présents dans la piscine.

Le fabricant rejette toute responsabilité, et la Garantie limitée n'offre aucune couverture, en cas de retrait, d'abrasion ou de marques affectant les motifs des revêtements en vinyle.

**CONSERVEZ CES INSTRUCTIONS**



## SOLUTION DES PROBLÈMES

*Se déplace lentement ou ne semble pas aspirer*  
La solution est de veiller à ce que le sachet-filtre soit propre.  
Vérifier que les ports de succion ne sont pas obstrués ou bouchés.

*L'appareil ne pompe pas l'eau.*  
Vérifiez si la prise électrique est alimentée.  
Vérifiez si le câble est branché dans le bloc d'alimentation.  
Vérifiez le fusible du bloc d'alimentation - remplacez-le le cas échéant.  
Vérifiez que le câble n'est ni coupé ni endommagé.

*Le Câble Flottant est enroulé*  
Changer le réglage de l'essieu. L'unité tourne probablement trop vivement. Utiliser le Pivot E-Z pour dérouler le câble (certain modèles).

*L'unité n'aspire pas les débris*  
Vérifiez que vous avez bien monté l'unité et qu'elle est sous tension (Alimentation sur ON).  
Vérifier si l'hélice est bloquée.  
S'assurer que le sachet filtrant est propre.

*L'unité est bloquée au milieu de le bassin mais l'unité pompe encore de l'eau*  
Vérifier qu'il n'y a rien qui obstrue le nettoyeur ou que le nettoyeur n'est pas bloqué par des objets dans le bassin.

*L'unité semble bouger dans le même secteur du bassin et ne nettoie pas d'autres secteurs*  
Changer le réglage de l'essieu en ajustant la configuration de la goupille de verrouillage. Cela fera bouger le nettoyeur dans une direction différente.

*L'unité ne couvre pas la totalité du bassin*  
Vérifier si le sachet filtrant est parfaitement propre.  
Ajuster le cycle de minutage sur l'alimentation électrique (certain modèles).  
Vérifier que la zone de l'essieu n'est pas obstruée.  
Vérifier la configuration de la goupille de verrouillage.

*\*Pour éviter tout choc électrique possible, ne pas utiliser ce produit si le câble flottant est endommagé.*



# DEUTSCH

Sehr geehrter Kunde,

Herzlichen Glückwunsch zum Kauf unseres Produkt. Wir hoffen, dass Ihnen Ihr neuer Reiniger über Jahre hinaus die Reinigung Ihres Schwimmbeckens erleichtern wird.

Bitte nehmen Sie sich ein paar Minuten Zeit um diese Bedienungsanleitung aufmerksam und vollständig zu lesen, bevor Sie Ihren Reiniger benutzen.

Vielen Dank, dass Sie sich für den unseren Reiniger entschieden haben.

## WICHTIGE SICHERHEITSHINWEISE BITTE LESEN UND BEFOLGEN SIE ALLE ANWEISUNGEN

**ACHTUNG:** Schließen Sie die Stromversorgung nicht an eine geerdete Steckdose an oder schalten Sie nicht den Schwimmbeckenreiniger auf "ON (AN)", wenn er nicht vollständig im Wasser eingetaucht ist. Das Betätigen des Reinigers außerhalb des Wassers führt sofort zu ernsthaften Schäden und zum Verlust der Garantie.

Belassen Sie den Reiniger im Schwimmbecken zwischen 15 und 20 Minuten bis zum Ende seines Reinigungszyklus. Dadurch werden die Motoren ausreichend gekühlt. Belassen Sie den Reiniger aber nicht die ganze Zeit im Schwimmbecken. Denken Sie immer daran, die Stromversorgung auf "OFF (AUS)" zu schalten und den Stromanschluss aus der Netzsteckdose zu ziehen, bevor Sie den Reiniger aus dem Schwimmbecken entfernen.

**VORSICHT:** Verwenden Sie Ihren Reiniger nur für Schwimmbecken und verwenden Sie ihn nicht, während sich Menschen im Wasser befinden.

### Sicherheitshinweis

- Das Gerät muss mit einem Fehlerstromschutzschalter (RCD) ausgestattet sein, der einen restlichen Nennbetriebsstrom von 30 mA nicht überschreitet.

- Der Anschluss zum Abzweigstromkreis sollte mit den örtlichen und nationalen Verdrahtungsvorschriften (Sicherheitsstandard für Elektroinstallationen) übereinstimmen.

- Sollte das Netzkabel beschädigt sein, muss es von einem Wartungsservice des Herstellers oder einer qualifiziert-ausgebildeten Person ersetzt werden, um Gefahren zu vermeiden.



Der Umgang mit diesem Elektrogerät ist für Personen (einschließlich Kinder) mit körperlichen, sensorischen oder geistigen Einschränkungen, oder mit mangelnden Erfahrungen und Kenntnissen nicht geeignet, außer wenn sie beim Umgang mit dem Gerät von einer für ihre Sicherheit verantwortlichen Person beaufsichtigt und angeleitet werden. Kinder sollten beaufsichtigt werden, um das Spielen mit dem Elektrogerät zu verhindern.



**VORSICHT:** Ein Erdschlussstromunterbrecher (GFCI-USA) oder ein Fehlerstromschutzschalter (RCD-EUROPE) muss installiert werden, um Ihre Steckdose zu schützen und mögliche Stromschläge zu verhindern.

### WICHTIG:

Bitte achten Sie darauf, dass Ihr Poolreiniger stets ordnungsgemäß bei einer Temperatur zwischen 10 und 40 aufbewahrt wird, um die Motoren, die Kunststoffelemente und Dichtungen zu schützen. Eine Nichteinhaltung wird den Verlust der Garantie zur Folge haben.

Der Roboter kann in Wasser mit Temperaturen von 13°C bis 35°C eingesetzt werden. Es empfiehlt sich jedoch, auf eine Temperatur zwischen 22°C und 32°C zu achten.

### VERWENDUNG DES REINIGUNGSGERÄTS IN EINEM POOL MIT VINYLVERKLEIDUNG

Die Strukturen bestimmter Vinylverkleidungen sind anfällig für die Oberflächenabnutzung durch Objekte, die mit der Vinyloberfläche in Berührung kommen, einschließlich Poolbürsten, Spielzeug, Schwimmkörper, Fontänen, Chlorspender und automatische Pool-Reinigungsgeräte.

Einige Strukturen von Vinylverkleidungen können mit einer Poolbürste schwer verkratzt oder abgerieben werden. Die Druckfarbe der Struktur kann ebenfalls während des Installationsprozesses oder bei Kontakt mit Objekten im Pool abgerieben werden.

Der Hersteller ist nicht für die Strukturabtragung, Abnutzung oder Markierung auf Vinylverkleidungen verantwortlich, die auch nicht von der eingeschränkten Garantie abgedeckt sind.

## BEWAHREN SIE DIESE ANWEISUNGEN



## FEHLERBEHEBUNG

*Der Apparat bewegt sich langsam oder scheint nicht zu saugen  
Die Lösung ist, sicherzustellen, dass der Filterbeutel sauber ist.  
Überprüfen Sie, ob die Sauganschlüsse verstopft oder blockiert sind.*

*Das Gerät pumpt kein Wasser:  
Überprüfen Sie, ob der elektrische Anschluss funktioniert.  
Stellen Sie sicher, dass das Kabel in das Netzteil eingesteckt ist.  
Überprüfen Sie die Sicherung im Netzteil und ersetzen Sie diese gegebenenfalls.  
Überprüfen Sie, ob das Kabel beschädigt ist.*

*Das Schwimmkabel rollt sich zusammen  
Ändern Sie die Achseneinstellung. Höchstwahrscheinlich dreht sich der Apparat zu abrupt.  
Verwenden Sie zur Begradigung des Kabels das E-Z-Swivel (bestimmte Modelle).*

*Der Apparat saugt Rückstände nicht auf  
Überprüfen Sie, ob die Einheit richtig eingestellt und das Netzteil eingeschaltet ist.  
Überprüfen Sie, ob der Propeller klemmt.  
Vergewissern Sie sich, dass der Filterbeutel sauber ist.*

*Der Apparat steckt in der Mitte des Beckens fest, pumpt aber weiterhin Wasser heraus  
Überprüfen Sie, ob der Reiniger verstopft ist oder an losen Gegenständen im Becken hängen bleibt.*

*Der Apparat bewegt sich anscheinend immer an derselben Stelle im Becken und reinigt keine anderen Bereiche  
Ändern Sie die Achseneinstellung durch Einstellung der Pinbelegung. Dadurch kann sich der Reiniger leichter in eine andere Richtung bewegen.*

*Der Apparat reinigt nicht das ganze Becken  
Überprüfen Sie, ob der Filterbeutel richtig sauber ist.  
Stellen Sie den Zeitzyklus am Netzteil ein (bestimmte Modelle).  
Überprüfen Sie den Achsenbereich auf Verstopfungen.  
Überprüfen Sie die Pinbelegung.*

*\*Um einen möglichen Stromschlag zu vermeiden, verwenden Sie dieses Produkt nicht, wenn das Schwimmkabel beschädigt zu sein scheint.*

## ITALIANO

Gentile Cliente,

La ringraziamo per la scelta che ha fatto preferendo il nostro robot per la pulizia della sua piscina. Vogliamo sperare che sarà un piacere per lei usare il nuovo robot di pulizia per la manutenzione della piscina per gli anni a venire.

Prima di iniziare ad utilizzare il robot di pulizia, la preghiamo di dedicare alcuni minuti per leggere attentamente queste istruzioni sul loro funzionamento.

La ringraziamo di nuovo per aver scelto il nostro robot di pulizia.

### DISPOSIZIONI IMPORTANTI DI SICUREZZA LEGGERE E SEGUIRE TUTTE LE DISPOSIZIONI

**ATTENZIONE:** Non inserire la spina dell'alimentatore in una presa di rete e non avviare il robot per la pulizia della piscina se questo non è completamente immerso nell'acqua. Mettendo in funzione il robot fuori dall'acqua si possono causare severi danni immediati e si provoca l'annullamento della garanzia.

Lasciare che il robot resti nella piscina per un periodo che va da 15 a 20 minuti dopo la fine del ciclo di pulizia. Questo consente ai motori di raffreddarsi adeguatamente. Non lasciare il robot in piscina tutto il tempo. Ricordare sempre di spegnere e staccare l'alimentatore elettrico dalla presa di corrente prima di estrarre il robot dalla piscina.

**AVVISO:** Il robot non deve essere messo in azione quando i bagnanti si trovano nella piscina. Per solo uso in piscina

Nota di sicurezza

- L'alimentazione del robot deve avvenire tramite un interruttore a corrente residua (RCD) con un valore di taratura non superiore a 30 mA

- Il collegamento alla rete elettrica deve essere compatibile con le norme ed i regolamenti locali e nazionali (normativa elettrica).

- Se il cavo d'alimentazione elettrica è danneggiato, deve essere sostituito dalla casa produttrice o da un agente autorizzato al servizio oppure da persona analogamente qualificata per evitare pericoli.



L'elettrodomestico non è destinato all'uso di persone dalle capacità fisiche, sensoriali o mentali ridotte (ivi compresi i bambini) o persone che non hanno idonee esperienze e conoscenze, senza prima averle addestrate o istruite circa l'uso dell'apparecchio da un tecnico responsabile della sicurezza. I bambini devono essere sorvegliati onde evitare che giochino con l'apparecchio.



**AVVISO:** Un interruttore di isolamento difettoso verso terra (GFCI-USA) o un interruttore di corrente residua (RCD-EUROPE) deve essere installato per proteggere la presa elettrica e prevenire ogni possibile scossa elettrica.

#### IMPORTANTE:

Assicurare che il robot per la pulizia della piscina sia messo in deposito in condizioni adeguate ad una temperatura che va da 10 a 40 gradi Celsius, per la protezione dei motori, delle parti in plastica e delle guarnizioni. Una mancata ottemperanza può comportare l'annullamento della garanzia.

Robot può essere usato in acqua a temperatura variabile da 13°C a 35°C (55°F a 95°F). Nondimeno, la temperatura ottimale raccomandata è fra 22°C e 32°C (72°F-90°F)

#### USO DEL ROBOT PULITORE IN PISCINE CON FONDALI IN VINILE

Alcuni motivi decorativi sui rivestimenti in vinile delle piscine sono particolarmente soggetti al loro logorio o rimozione rapida provocati dagli oggetti che entrano in contatto con la superficie in vinile, incluse spazzole per la pulizia, giocattoli, galleggianti, fontane, erogatori di cloro e robot automatici di pulizia.

Alcuni motivi decorativi nei rivestimenti in vinile delle piscine possono subire graffiature o abrasioni profonde semplicemente strofinando la superficie con una spazzola per la pulizia. Inoltre l'inchiostro dei motivi decorativi potrebbe venir via durante il processo d'installazione o quando entra in contatto con oggetti nella piscina. Il produttore non è responsabile della rimozione, dell'abrasione o delle graffiature dei motivi decorativi dei rivestimenti in vinile delle piscine e la sua Garanzia Limitata non copre tali danni.



### RISOLUZIONE DEI PROBLEMI

**L'apparecchio si sposta lentamente o sembra che non aspiri**  
La soluzione è accertarsi che il sacco filtrante sia adeguatamente pulito

Verificare che le bocchette di aspirazione non siano ostruite o bloccate.

**L'apparecchio non pompa acqua:**

Controllare se arriva corrente alla presa.

Controllare che il cavo sia inserito nella presa di corrente.

Controllare il fusibile dell'alimentatore e sostituirlo se necessario.

Controllare che il cavo non presenti tagli o danneggiamenti.

**Il cavo galleggiante si arrotola durante l'uso**

Modificare l'assetto dell'asse. È probabile che l'unità ruoti in un modo eccessivamente brusco.

Usare l'opzione girevole E-Z per raddrizzare il cavo (alcuni modelli).

**L'unità non aspira i detriti**

Controllare di aver configurato adeguatamente l'unità e che l'alimentatore sia impostato su ON.

Verificare che l'elica non sia bloccata.

Assicurarsi che il sacchetto del filtro sia pulito.

**L'unità è bloccata al centro della piscina, ma l'apparecchio continua a pompare acqua**

Verificare che non ci sia nulla che ostruisca l'apparecchio o che il filtro non sia bloccato su eventuali oggetti presenti nella piscina.

**Sembra che l'unità si stia spostando nella stessa area della piscina e non pulisca altre zone**

Modificare l'assetto dell'asse regolando la configurazione del perno di bloccaggio. In questo modo il robot pulitore si sposterà in una direzione differente per realizzare la pulizia.

**L'unità non si sposta lungo l'intera piscina**

Verificare che il sacchetto del filtro sia completamente pulito.

Regolare il tempo del ciclo dall'alimentazione (alcuni modelli).

Verificare che la zona dell'asse non sia intasata.

Controllare la configurazione del perno di bloccaggio.

*\*Per evitare il rischio di scosse elettriche non utilizzare questo prodotto se il cavo galleggiante appare danneggiato*

**CONSERVARE QUESTE ISTRUZIONI**

# ESPAÑOL

Estimado Cliente:

Gracias por seleccionar nuestro producto para realizar la limpieza de su piscina. Estamos seguros que quedará satisfecho al utilizar su nuevo limpiafondos para mantener limpia su piscina durante años.

Antes que Ud. comience a utilizar su limpiafondos, dedique unos minutos de su tiempo para leer éste manual de instrucciones.

Nuevamente, gracias por seleccionar nuestro producto

## INSTRUCCIONES IMPORTANTES SOBRE SEGURIDAD LEA Y SIGA TODAS LAS INSTRUCCIONES

**PRECAUCIÓN:** No enchufe la fuente de alimentación a una toma aterrada ni tampoco pase el interruptor a la posición de encendido "ON" si el limpiador no está totalmente sumergido en el agua. Si opera el limpiador fuera del agua puede causar daños severos de forma inmediata y se traducirá en la pérdida de la garantía.

Deje el limpiador en la piscina por espacio de 15 a 20 minutos siguientes a la conclusión de su ciclo de limpieza. Esto permitirá que los motores se enfríen adecuadamente. No deje el limpiador en la piscina todo el tiempo. Recuerde siempre de apagar la fuente de alimentación "OFF" y desenchufe la toma de corriente antes de retirar el limpiador de la piscina.

**ADVERTENCIA:** El limpiador no debe ser utilizado cuando las personas están en el agua. Para su utilizado solamente en piscinas

Nota de seguridad

- La unidad deberá recibir su energía a través de un dispositivo de corriente residual (RCD) con una intensidad nominal residual no superior a los 30 mA

- La conexión con el circuito de derivación debe ser compatible con las normas de cableado locales y nacionales (código eléctrico).

- Si el cable de alimentación está dañado, debe ser reemplazado por el agente de servicio del fabricante o una persona calificada y entrenada con el fin de evitar peligros.



Este aparato no está diseñado para ser utilizado por personas (incluidos niños) con capacidades físicas, sensoriales o mentales reducidas, o con falta de experiencia y conocimiento, a menos que se les supervise o se les instruya en el uso del aparato por una persona responsable de su seguridad. Los niños deberán ser supervisados para asegurar de que no jueguen con el aparato.



**ADVERTENCIA:** Un interruptor diferencial (GFCI, EE.UU.) o un dispositivo de corriente residual (RCD-EUROPE) deberá instalarse para proteger la toma de corriente eléctrica y evitar posibles descargas eléctricas.

**IMPORTANTE:**

Por favor asegúrese de mantener su limpiador de piscinas apropiadamente almacenado en cualquier lugar con una temperatura entre los 10 y 40 grados Celsius (50 a 104 grados Fahrenheit). Esto mantendrá los motores, plásticos y juntas protegidos. El incumplimiento resultará en la pérdida de la garantía.

El Limpiafondos puede ser usado en el agua con temperaturas de 13 a 35 grados centígrados (55–95F). Nuestra recomendación es una temperatura óptima de 22 a 32 grados centígrados (72–90F).

**USO DEL LIMPIADOR EN UNA PISCINA CON UN RECUBRIMIENTO DE VINILO**

Ciertos patrones de recubrimientos de vinilo son particularmente susceptibles al rápido desgaste del patrón de su superficie debido a objetos que entren en contacto con la superficie de vinilo, incluyendo: cepillos para piscinas, juguetes para piscina, flotadores, fuentes, dispensadores de cloro y limpiadores automáticos para piscinas.

Algunos patrones de recubrimientos de vinilo pueden rayarse o desgastarse de manera importante con el simple hecho de frotar la superficie con un cepillo para piscina. La tinta del patrón también puede quitarse durante el proceso de instalación o cuando entra en contacto con objetos en la piscina.

El fabricante no es responsable, y la Garantía Limitada no cubre, la eliminación de patrones, abrasiones o marcas sobre los recubrimientos de vinilo.

## GUARDE ESTAS INSTRUCCIONES



## SOLUCIÓN DE PROBLEMAS

*Se mueve lentamente o no parece estar aspirando*

*La solución es asegurarse de que la bolsa de filtro esté limpia.*

*Compruebe que los orificios de aspiración no estén obstruidos ni bloqueados.*

*No bombea agua:*

*Revise si la salida de corriente está funcionando.*

*Revise si el cable está conectado a la fuente de alimentación.*

*Revise el fusible de la fuente de alimentación; cámbielo si es necesario.*

*Busque posibles cortes o daños en el cable.*

*El cable flotante se enrolla*

*Cambie el eje. Es muy probable que la unidad gire demasiado bruscamente. Utilice el brazo giratorio EZ para enderezar el cable (ciertos modelos).*

*La unidad no absorbe los residuos*

*Revise para ver si configuró adecuadamente la unidad y que el suministro de energía esté ENCENDIDO (ON).*

*Compruebe si la hélice está parada.*

*Asegúrese de que la bolsa del filtro esté limpia.*

*La unidad se ha parado en medio de la piscina, pero la unidad sigue bombeando agua*

*Compruebe que no haya nada que obstruya el filtro o que la unidad no se haya quedado atascada con algún objeto suelto en la piscina.*

*Parece que la unidad se esté moviendo todo el rato en la misma zona de la piscina y que no limpie las otras*

*Cambie el eje ajustando su configuración. Esto ayudará a desplazar el limpiador en una dirección diferente.*

*La unidad no cubre toda la piscina*

*Compruebe que la bolsa del filtro esté completamente limpia.*

*Ajuste el ciclo de tiempo en la fuente de alimentación (ciertos modelos).*

*Compruebe que el área del eje no está obstruida.*

*Compruebe la configuración del perno.*

*\*Para evitar una descarga eléctrica, no use este producto si el cable flotante parece estar dañado.*

# PORTUGUÊS

Estimado cliente:

Obrigado por ter escolhido o aspirador para a limpeza da sua piscina. Estamos seguros de que ficará satisfeito ao utilizar o seu novo aspirador para manter a sua piscina limpa durante anos.

Antes de começar a utilizá-lo dedique alguns minutos do seu tempo para ler o manual de instruções.

Mais uma vez, obrigado por ter escolhido o aspirador.

## IMPORTANTES INSTRUÇÕES DE SEGURANÇA LEIA E SIGA TODAS AS INSTRUÇÕES

**CUIDADO:** Não ligue a fonte de alimentação em uma tomada aterrada e não ligue "ON" o limpador de piscina se o mesmo não estiver totalmente submerso na água. Operar o limpador fora da água causa severos danos imediatos e resulta na perda da garantia.

Deixe o limpador ficar na piscina por 15 a 20 minutos seguindo o final de seu ciclo de limpeza. Isto permite que os motores esfriem adequadamente. Não deixe o limpador dentro da piscina todo o tempo. Lembre-se sempre de desligar/OFF a fonte de alimentação e retirar o limpador da tomada elétrica antes de removê-lo da piscina.

**ADVERTÊNCIA:** O limpador não deve ser usado quando houver pessoas na água. Para utilização somente em piscinas de natação.

Nota de segurança

- A unidade deve ser alimentada através de um disjuntor diferencial (DR) que tenha uma corrente operacional residual classificada, que não exceda 30 mA.

- A conexão com o circuito ramal deve ser coerente com as regras de fiação locais e nacionais.

- Se o fio de alimentação estiver danificado, ele deve ser substituído pelo agente de serviço do fabricante ou por uma pessoa qualificada e treinada a fim de se evitar riscos.



Este aparelho não foi projetado para ser usado por pessoas (incluindo crianças) com capacidades físicas, sensoriais ou mentais reduzidas ou com falta de experiência e conhecimento, a menos que recebam supervisão ou instrução referentes ao uso do aparelho por uma pessoa responsável pela sua segurança. Crianças devem ser vigiadas para garantir que não brinquem com o aparelho.



**ADVERTÊNCIA:** Um interruptor de corrente de falha de aterramento (GFCI-USA) ou um dispositivo de corrente residual (RCD-EUROPA) deve ser instalado para proteger sua tomada elétrica e prevenir qualquer choque elétrico possível.

**IMPORTANTE:**

Verifique que o seu aspirador é armazenado adequadamente entre os 10 e os 40°C. Isto fará com que os motores, plásticos, etc, estejam protegidos. Caso isto não seja feito resultará em perda automática da garantia.

O robô pode ser utilizado na água em temperaturas que variam entre 13°C a 35°C (55°F a 95°F)

Contudo, a temperatura ótima recomendada é entre 22°C - 32°C (72°F - 90°F)

**UTILIZAÇÃO DO ASPIRADOR NUMA PISCINA COM REVESTIMENTO DE VINIL**  
Alguns padrões de revestimento de vinil são particularmente susceptíveis a um desgaste rápido da superfície e à remoção do padrão causados por objectos que entram em contacto com a superfície de vinil, incluindo escovas para piscinas, brinquedos para piscinas, bóias, fontes, doseadores de cloro e aspiradores automáticos de piscinas.

Alguns padrões de revestimento de vinil podem ficar seriamente riscados ou desgastados através da simples escovagem da superfície com uma escova para piscinas. A tinta do padrão pode também perder nitidez durante o processo de instalação ou quando entra em contacto com objectos na piscina.

O fabricante não assume a responsabilidade pela remoção do padrão, abrasões ou marcas nos revestimentos de vinil, nem a Garantia Limitada cobre estes danos.

## GUARDE ESTAS INSTRUÇÕES



## SOLUÇÃO DE PROBLEMAS

Move-se lentamente ou não parece estar a aspirar  
A solução consiste em garantir que o saco do filtro está limpo.  
Comprove que os orifícios de aspiração não estão obstruídos nem bloqueados.

Não bombeie água:

Verifique se a tomada está funcionando.

Verifique se o cabo está ligado na fonte de energia.

Verifique o fusível na fonte de energia e troque-o, se necessário.

Verifique se o cabo está danificado ou se possui pequenos cortes.

O cabo flutuante enrola-se

Mude o eixo. É muito provável que a unidade funcione demasiado bruscamente.

Utilize o braço giratório EZ para endireitar o cabo (certos modelos).

A unidade não absorve os resíduos  
Verifique se configurou correctamente a unidade e se a fonte de alimentação está LIGADA..

Comprove que a hélice está parada.

Certifique-se de que o saco do filtro está limpo.

A unidade parou a meio da piscina, mas a unidade continua a bombear água

Comprove que não há nada a obstruir o filtro ou que a unidade não ficou entupida com algum objecto solto na piscina.

Parece que a unidade se está a mover sempre na mesma zona da piscina e que não limpa as outras

Mude o eixo ajustando a configuração do pino de bloquear. Isto ajudará a deslocar o limpador numa direcção diferente.

A unidade não abrange toda a piscina

Comprove que o saco do filtro está totalmente limpo.

Ajuste o ciclo de tempo na fonte de alimentação (certos modelos).

Comprove que a área do eixo não está obstruída.

Comprove a configuração do eixo.

\*Para evitar um possível choque eléctrico, não utilize este produto caso o cabo flutuante aparente estar danificado.

# NEDERLANDS

Geachte klant,

Hartelijk dank dat u hebt gekozen voor ons product om uw zwembad te reinigen. We hopen dat u plezier zult beleven aan het gebruik van uw nieuwe robot om uw zwembad in stand te houden gedurende de komende jaren. Voordat u begint met het gebruik van uw robot, vragen we u om een paar minuten de tijd te nemen om deze bedieningsinstructies zorgvuldig door te lezen. Nogmaals hartelijk dank dat u voor ons product hebt gekozen.

## BELANGRIJKE VEILIGHEIDSLINSTRUCTIES LEES EN VOLG ALLE INSTRUCTIES OP

LET OP: Steek de stekker niet in een geaard stopcontact en schakel de zwembadreiniger niet aan op "ON" als deze niet volledig in water is ondergedompeld. Bediening van de reiniger buiten het water zal onmiddellijk ernstige schade veroorzaken en zal leiden tot het vervallen van de garantie.

Laat de reiniger in het zwembad liggen gedurende 15 tot 20 minuten na het einde van de reinigingscyclus. Dit zorgt ervoor dat de motoren goed kunnen afkoelen. Laat de reiniger niet de hele tijd in het zwembad achter. Onthoud om de stroomvoorziening steeds uit "OFF" te zetten en de stekker uit het stopcontact te halen voordat u de reiniger uit het zwembad haalt.

**WAARSCHUWING: De reiniger mag niet worden gebruikt als zich mensen in het water bevinden. Uitsluitend voor gebruik met een zwembad.**

### Veiligheidsmededeling

- De eenheid moet worden gevoed via een aardlekschakelaar die een nominale aardlekstroom heeft die 30 mA niet overschrijdt.
- De aansluiting naar het vertakkingscircuit dient consistent te zijn met de plaatselijke en nationale bedradingregels (elektrische code).
- Als het stroomsnoer beschadigd is, moet het worden vervangen door de onderhoudsmonteur van de fabrikant of een gekwalificeerde en getrainde persoon om gevaarlijke situaties te vermijden.

Dit apparaat is niet bedoeld voor gebruik door personen (inclusief kinderen) met verminderde fysieke, sensorische of geestelijke capaciteiten, of een gebrek aan ervaring en kennis, tenzij ze onder toezicht staan of instructies krijgen met betrekking tot het gebruik van het apparaat door een persoon die verantwoordelijk is voor hun veiligheid. Kinderen dienen onder toezicht te staan om ervoor te zorgen dat ze niet met het apparaat spelen.



**WAARSCHUWING:** Een differentieelschakelaar (GFCI-USA) of een aardlekschakelaar (RCD-EUROPE) moet worden geïnstalleerd om uw elektrische uitgang te beschermen en iedere mogelijke elektrische schok te voorkomen.

### BELANGRIJK:

Zorg er a.u.b. voor dat u uw zwembadreiniger goed opslaat, op een temperatuur tussen 10 en 40 graden Celsius. Dit zorgt ervoor dat de motoren, het plastic en de verzegeling beschermd zijn. Als u zich hier niet aan houdt, vervalt de garantie. De robot kan worden gebruikt in water met temperaturen tussen 13°C tot 35°C. De aanbevolen optimale temperatuur ligt echter tussen 22°C en 32°C.

### GEBRUIK VAN HET REINIGINGSAPPARAAT IN EEN ZWEMBAD MET EEN BEKLEDING VAN VINYL

Bepaalde patronen op bekleding van vinyl zijn bijzonder gevoelig voor snelle oppervlakteslijtage. Ook kan het patroon verdwijnen door voorwerpen die in contact komen met het oppervlak van vinyl, zoals zwembadborstels, speelgoed, luchtbedden, fontein, chloorapparaten en automatische reinigingsapparaten voor zwembaden.

Sommige patronen op bekleding van vinyl kunnen ernstig worden bekrast of afgeschuurd door het simpelweg poetsen van het oppervlak met een zwembadborstel. Het is ook mogelijk dat de inkt van patronen tijdens het installatieproces of bij contact met voorwerpen in het zwembad wordt weggewreven. De fabrikant is niet aansprakelijk voor verdwijning of slijtage van bekleding van vinyl of voor het verschijnen van markeringen. Deze beschadigingen worden niet gedekt door de beperkte garantie.

## BEWAAR DEZE INSTRUCTIES



## PROBLEMEN VERHELPEN

*Beweegt langzaam of lijkt niet te zuigen*

*U lost dit op door te controleren of de filterzak schoon is.*

*Controleer of de zuigpunten niet verstopt of geblokkeerd zijn.*

*Pompt geen water:*

*Controleer of het stopcontact functioneert.*

*Controleer of het snoer verbonden met is het voedingsdeel.*

*Controleer de zekering van het voedingsdeel; vervang haar zonodig.*

*Zoek mogelijke breuken of beschadigingen in het snoer.*

*Het drijvende snoer is in de war*

*Verander de asinstellingen. De eenheid maakt hoogst waarschijnlijk te scherpe bochten.*

*Gebruik de E-Z wartel om het snoer recht te trekken (bepaalde modellen).*

*De eenheid zuigt geen vuil op*

*Controleer of u het apparaat correct hebt ingesteld en of de stroomtoevoer op AAN staat.*

*Controleer of de propellor vastgelopen is.*

*Vergewis u ervan dat de filterzak schoon is.*

*De eenheid is vastgelopen midden in het zwembad maar pompt nog steeds water*

*Controleer of niets de schoonmaakeenheid in de weg staat of dat de eenheid vastgelopen is op losliggende voorwerpen in het zwembad.*

*De eenheid blijft heen en weer bewegen in hetzelfde deel van het zwembad en reinigt andere delen niet*

*Verander de asinstellingen door de pinconfiguratie aan te passen.*

*Dit helpt de schoonmaakeenheid van richting te veranderen.*

*De eenheid bestrijkt niet het hele zwembad*

*Controleer of de filterzak volledig schoon is.*

*Pas de tijdcyclus op het voedingsdeel aan (bepaalde modellen).*

*Controleer of het asdeel niet verstopt is.*

*Controleer de pinconfiguratie.*

*\*Om elektrische schok te voorkomen, gebruik dit product niet als de losse kabel beschadigd lijkt te zijn.*





## Electrical specifications

Spécifications électriques  
Especificações elétricas  
Elektrische specs

Elektrische Spezifikationen  
Specifiche elettriche  
Especificaciones eléctricas

---

### **SP 23036:**

230V ~ 50Hz / 220W / 1.25A

### **SP 12036:**

120V ~ 60Hz / 230W / 2.5A